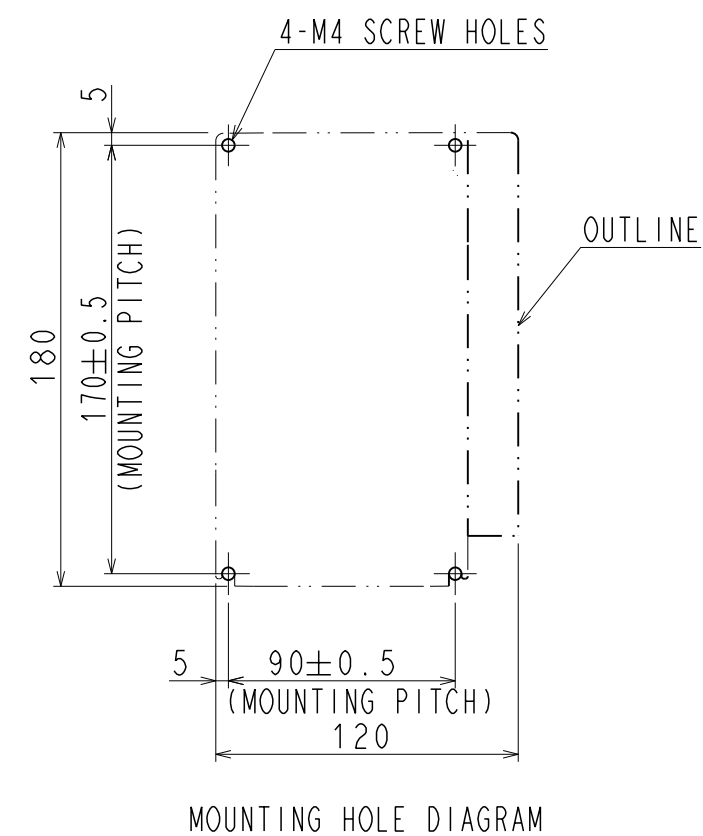
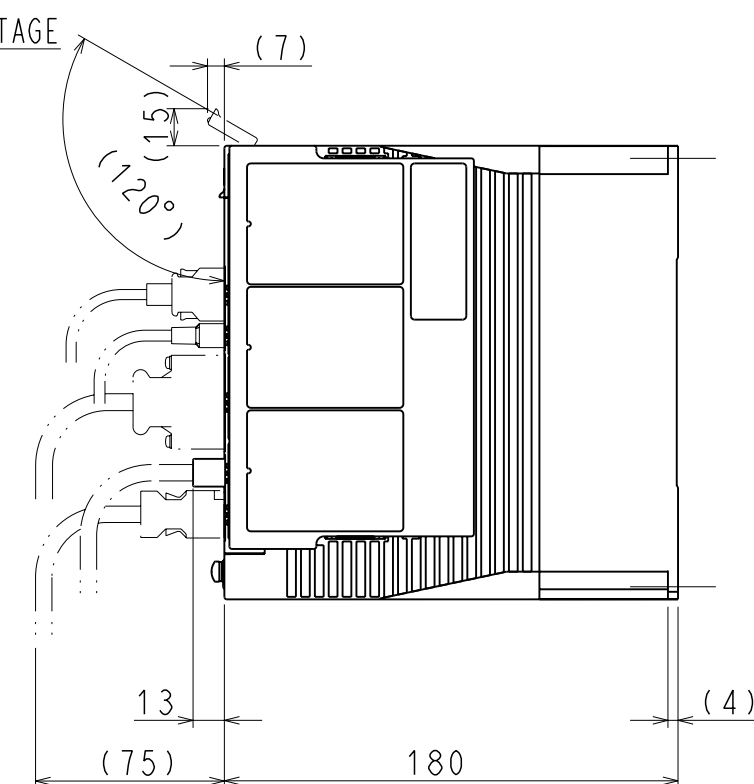
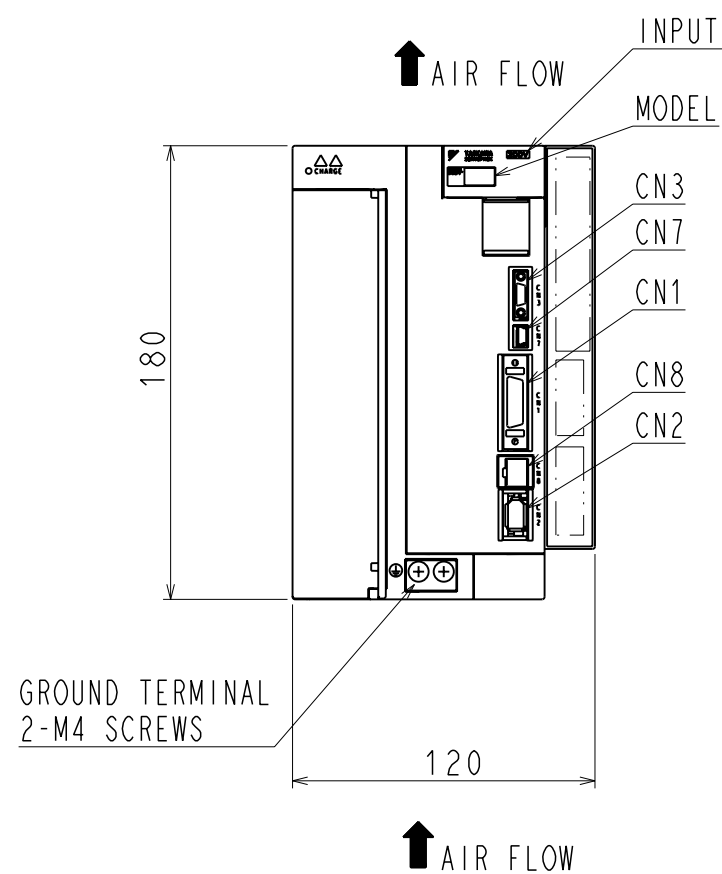
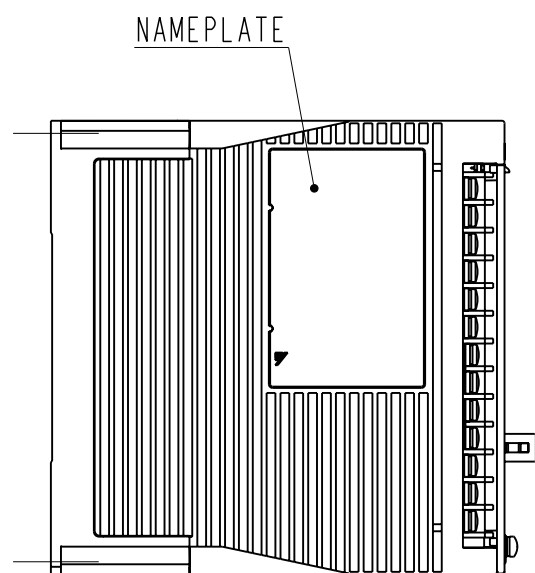
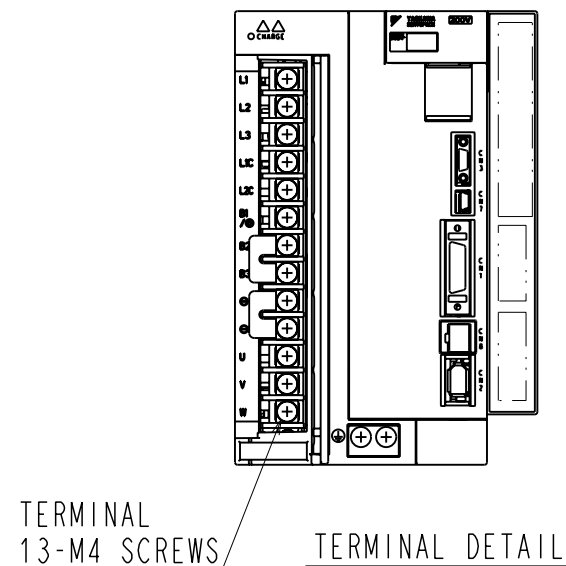


DWG. NO. 900-048-852-2/2

(NOTE1) This drawing is the base-mounted type.  
 (NOTE2) Refer to the USER'S MANUAL for standard for installation.  
 (NOTE3) Refer to the another drawing for the outline of the option unit.

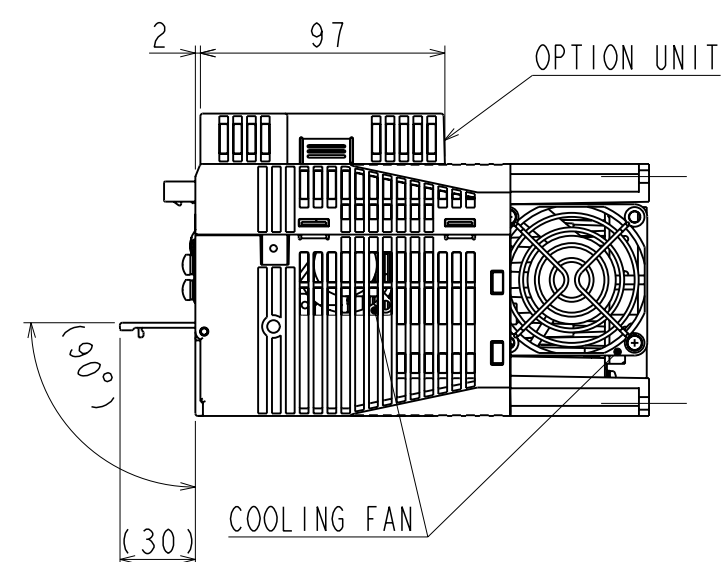
A  
B  
C  
D  
E  
F

A  
B  
C  
D  
E  
F



PART No.	MODEL	NUMBER OF CONTACTS	MANUFACTURER
CN1	10226-52A2PL	26	SUMITOMO 3M LIMITED
CN2	53984-0671	6	MOLEX JAPAN CO.,LTD
CN3	HDR-EC14LFDTN-SLE-PLUS	14	HONDA TSUSHIN KOGYO CO.,LTD
CN7	MNC23-5K5H00	5	ADVANCED-CONNECTEK INC.
CN8	1981080-1	8	Tyco Electronics AMP K.K

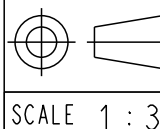
The above or the equivalent is used.



DIMENSION IN mm  
 APPROX. MASS: 2.8kg  
 Remove mass of the option unit.

REFERENCE ONLY

**YASKAWA**  
 株式会社 安川電機



TITLE OUTLINE DRAWING OF SERVOPACK  
 SGD-V180/200A□□A\*  
 (□□:E1,E5)(\*:OPTION CODE)

DWG. NO.

**900-048-852**

REV.

2/2

◇

SIZE A3

1

2

3

6

7

8